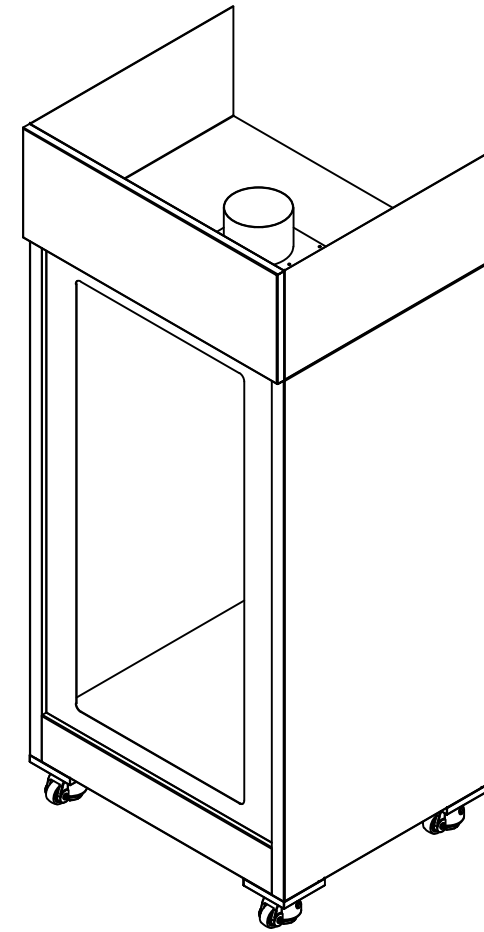
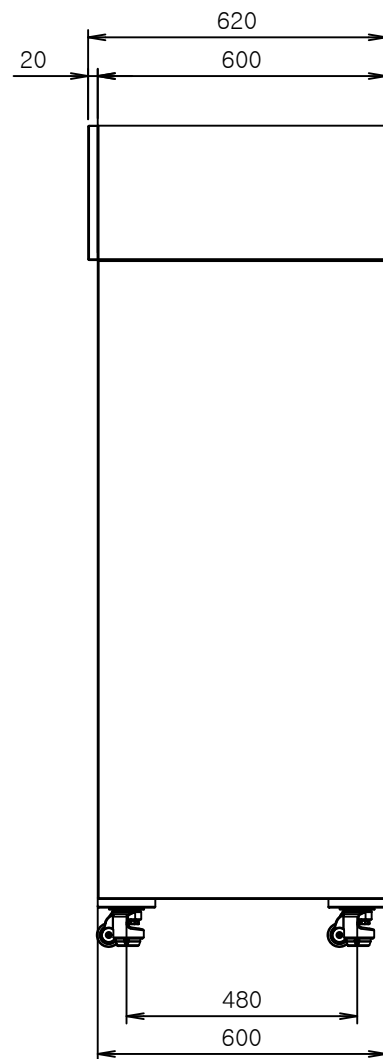
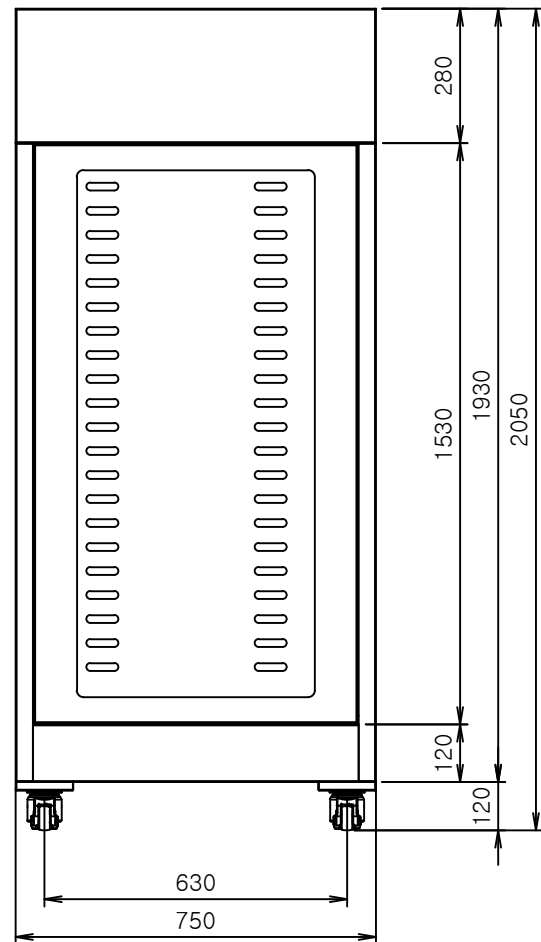
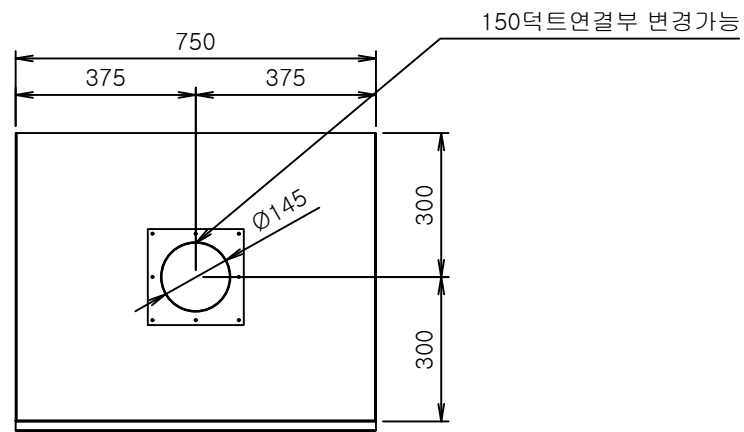


ASSEMBLY COMPONENTS INFORMATION

| No. | Part Description | Q'ty | Material | Part No. |
|-----|------------------|------|----------|----------|
|-----|------------------|------|----------|----------|

A



| | | | |
|-------------------|--------------------|--------------|-----------------|
| Model | CU0900 | | |
| Title | 외형도 | | |
| Part No. | - | | |
| Material | - | Scale | 1/15 |
| Projection | | Units | mm |
| DWG. No. | - | | Rev. |
| Rev. | Description | Date | Designed |
| | | | Checked |
| | | | Approved |

General Note

1. Tolerance Limits : ±0.1
2. No indications R=0.5, C=0.5
3. No indications surface processing: ≤12S(▽▽)
4. Color: None
- 5.

| | | | | | |
|-------------|--------------------|-------------|-----------------|----------------|-----------------|
| | | | | | |
| | | | | | |
| | | | | | |
| | For issued | 2026.05.11 | N.C.DONG | N.C.DONG | Y.S.KOO |
| Rev. | Description | Date | Designed | Checked | Approved |